

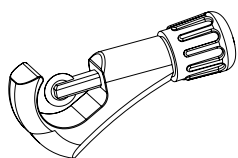
Pacific Hard Tube Bender Kit

Pacific Hard Tube Bender Kit

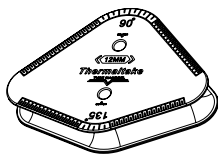
This product is intended for installation only by expert users. Please consult with a qualified technician for installation. Improper installation may result in damage to your equipment.

1. Please carefully read the manual before beginning the installation process !
2. DO NOT USE any kind of alcohol or alcohol derivatives with PETG or the acrylic tube may crack and fail ! Do not clean it using alcohol either !

Parts List



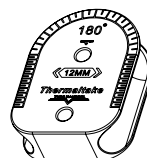
A x 1
Cutter



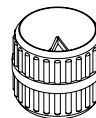
B x 1
45° & 90° Mandrel



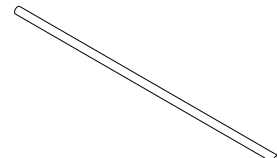
C x 1
360° Mandrel



D x 1
180° Mandrel



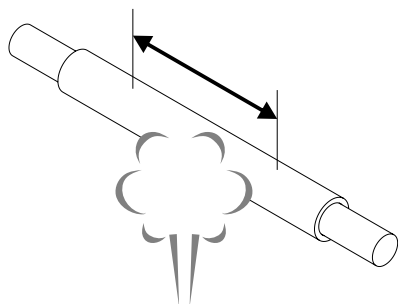
E x 1
Inside-outside
Reamer



F x 1
Silicone cord

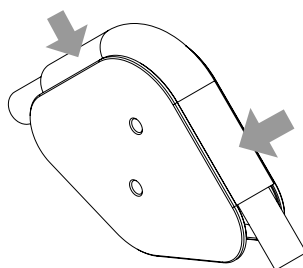
Installation Guide

1



Insert the silicon cord into the hard tube
Use the heat gun to heat the bend point

2



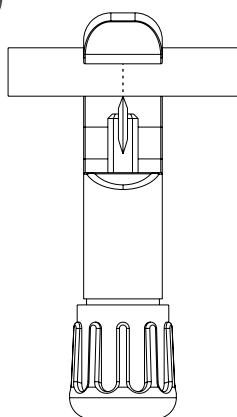
Press against the tube forcing
the tube to fit the shape
(or angle) of the mandrel

3



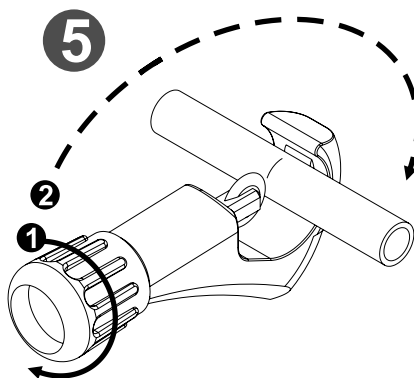
Mark the tube you would like to cut it

4



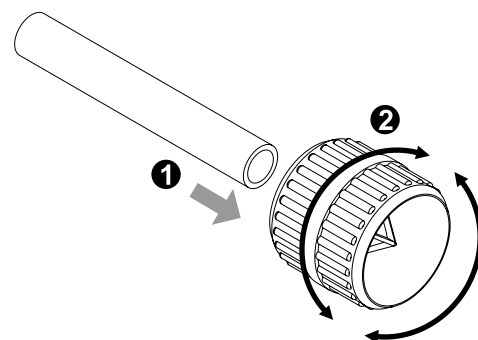
Place the tube between the cutting
wheel and tow rollers
Make sure the cutting wheel is in
contact with the tube

5



Rotate the knob to adjust
the cutting wheel
Rotate the cutter around the tube

6



Use the reamer to remove burrs