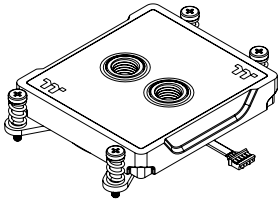


This product is intended for installation only by expert users. Please consult with a qualified technician for installation. Improper installation may result in damage to your equipment.

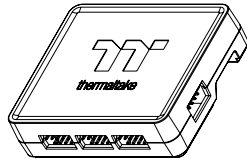
Before you start using this product please follow these basic guidelines:

1. Please carefully read through the instruction manual before beginning the installation process.
2. Please remove your graphics card from your motherboard to insure the safest process and in order to prevent any possible damages to your CPU and motherboard.
3. It is strongly recommended to use market proven pre-mix coolant, such as Thermaltake Coolant 1000.

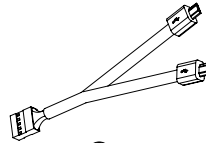
Parts List



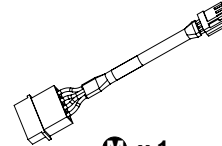
A x 1
Water Block



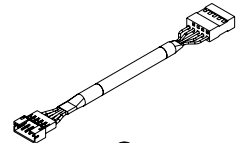
K x 1
Controller



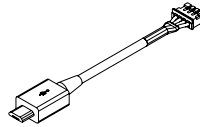
L x 1
Controller Cable



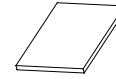
M x 1
Power Cable



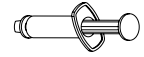
N x 1
Conversion Cable



O x 1
Bridge Cable



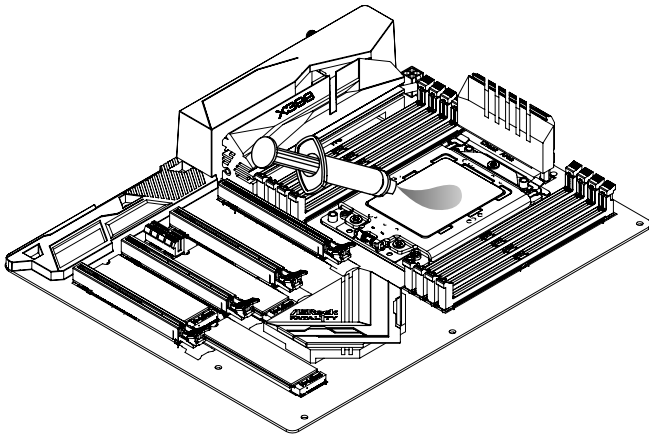
P x 1
Velcro



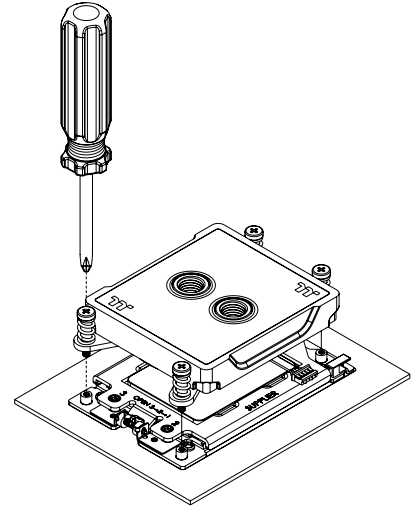
J x 1
Thermal grease

AMD TR4 Installation Guide

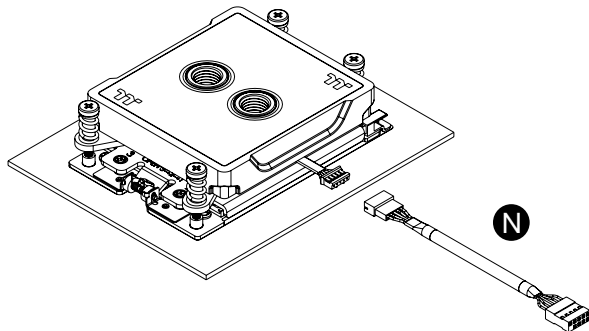
1



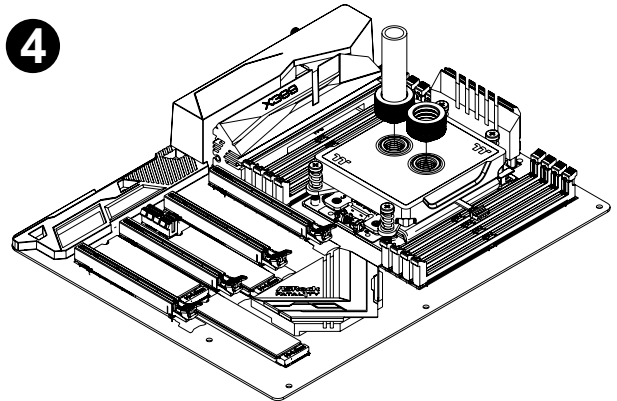
2



3

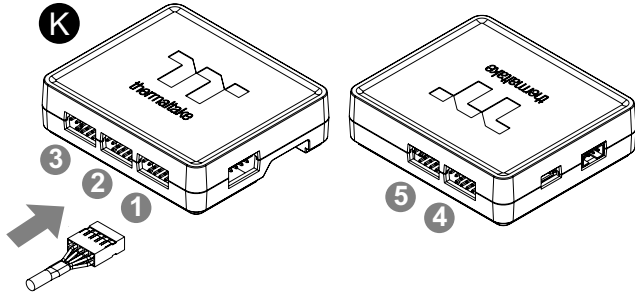


4



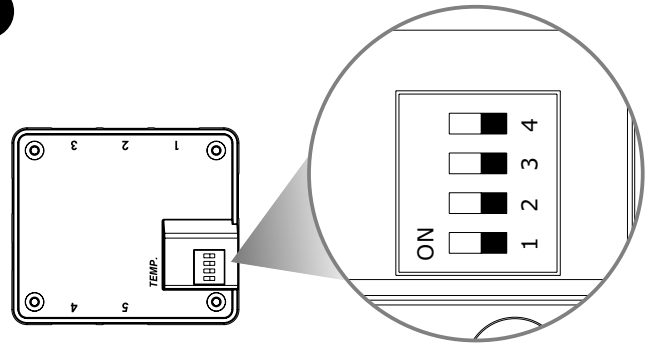
Installation Guide

1



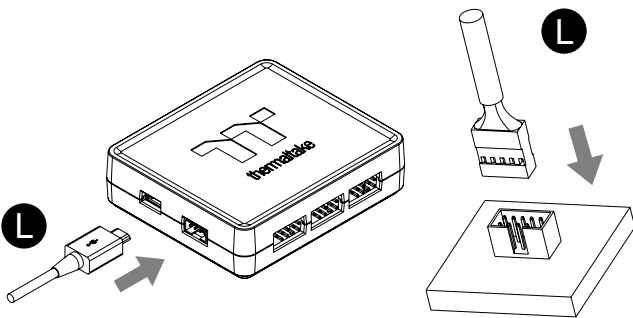
Connect the plug into the port in numerical order, start with plug one.

2



Set the DIP switch on the back side of the controller to assign the number of the controller

3



Connect the controller cable onto the mainboard (USB 2.0 9 pin) and controller.

NO.1



ON

NO.2



ON

NO.3



ON

NO.4



ON

NO.5



ON

NO.6



ON

NO.7



ON

NO.8



ON

NO.9



ON

NO.10

ON

NO.11

ON

NO.12

ON

NO.13

ON

NO.14

ON

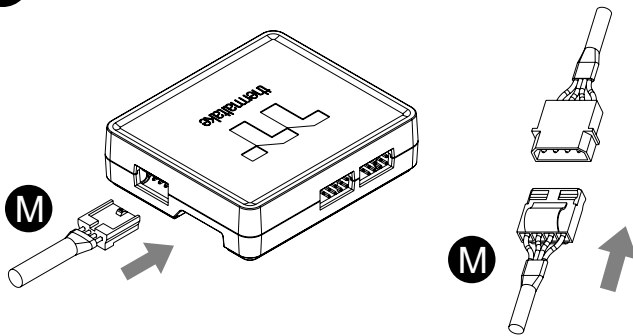
NO.15

ON

NO.16

ON

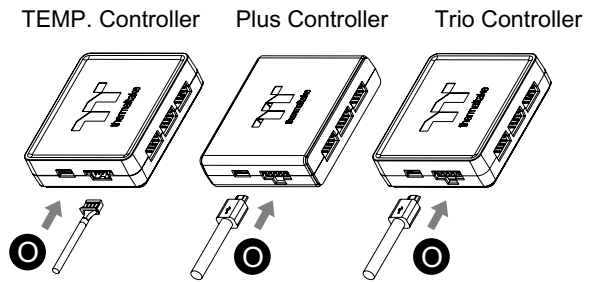
4



Connect the power cable to the 4pin Molex connector and controller.

5

Connect with other addressable LED product



1. Pacific W6 is only compatible with Temp controller
2. Connect the controller cable to Temp controller , and then connect the rest of controllers in series